

**Soft Served  
 Capri Soft Ice Cream Dispenser, 1  
 flavour, electronical control & touch  
 panel, 290cones/h-pump**

ITEM # \_\_\_\_\_

MODEL # \_\_\_\_\_

NAME # \_\_\_\_\_

SIS # \_\_\_\_\_

AIA # \_\_\_\_\_


**560067 (CAP118DPA3PH)**

Soft ice cream dispenser with 11 l tank capacity and 1,95 l cylinder volume, 1 flavour, electronical control and touch screen panel, countertop, hourly production: 290 cones (75 gr), pump version, R452A

### Short Form Specification

**Item No.** \_\_\_\_\_

Soft ice cream and frozen yogurt dispenser with 11 l tank capacity and 1,95 l cylinder volume, 1 flavour, hourly production: 290 cones (75gr). Digital control and touch screen panel. It is a countertop appliance with pump system. Tank agitator and stainless steel drip tray are included as standard. Air-cooled version: requires no water connections that means less operating costs and it is easy to install.

### Main Features

- Countertop appliance with pump delivers soft ice cream and frozen yogurt, single-flavor equipment.
- Thanks to the pump feeding system, the equipment incorporates more air - high overrun - and therefore the dispensed ice cream is lighter and softer. High overrun means higher profit.
- Digital control with touch screen.
- The machine is equipped with tank agitator and stainless steel drip tray.
- Equipped with a 11 liters tank capacity and dispenses up to 290 cones/h (75 gr cones).

### Construction

- Air-cooled version requires no water connections that means low operating costs and easy installation.
- Environmentally friendly: R452a as refrigerant gas.

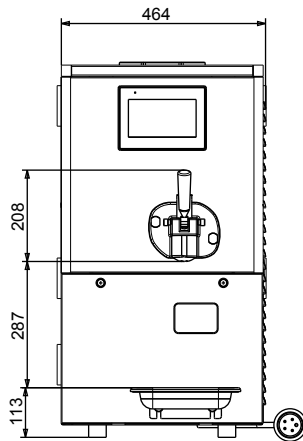
**APPROVAL:** \_\_\_\_\_



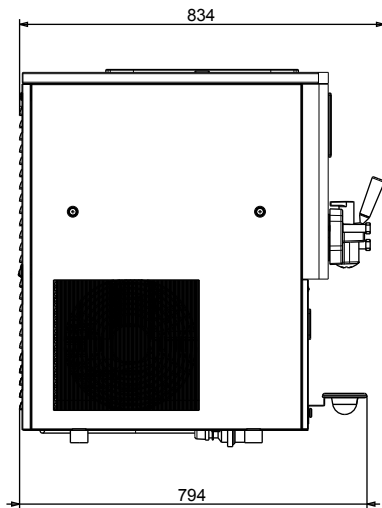
**Electrolux**  
PROFESSIONAL

**Soft Served**  
**Capri Soft Ice Cream Dispenser, 1 flavour,**  
**electronical control & touch panel, 290cones/**  
**h-pump**

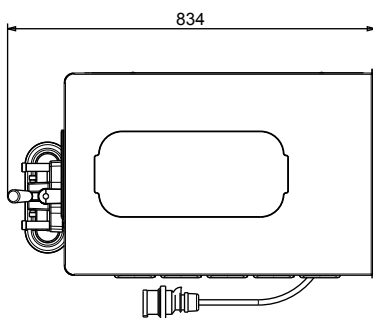
Front



Side



Top



### Electric

Supply voltage:

560067 (CAP118DPA3PH) 380-400 V/3N ph/50 Hz

Electrical power max.:

2 kW

### Key Information:

External dimensions, Width: 465 mm

External dimensions, Depth: 831 mm

External dimensions, Height: 846 mm

Net weight: 120 kg

Freezing cylinder capacity: 1.95 l

Preparation system: pump

N° of hoppers/grinders: 1

Hopper capacity: 11 l

Plug type: IEC/EN 60309-1/2

### Refrigeration Data

Operating temperature min.: 20 °C

Operating temperature max.: 36 °C

### Sustainability

Refrigerant type: R452A



Soft Served  
Capri Soft Ice Cream Dispenser, 1 flavour, electronical control & touch  
panel, 290cones/h-pump  
The company reserves the right to make modifications to the products  
without prior notice. All information correct at time of printing.

2024.05.17